



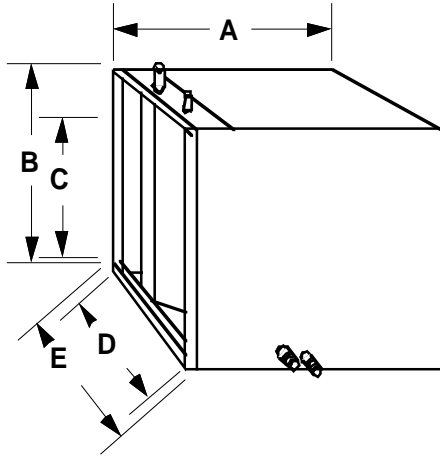
ASPEN
MANUFACTURING

373 ATASCOCITA RD. • HUMBLE, TX • 77396
TEL (281) 441-6500 • FAX (281) 441-6510
<< www.aspenmfg.com >>

DIMENSIONS AND SPECIFICATIONS

Aspen "BB" Series Horizontal Coils

Designed to Fit Arcoaire/Comfortmaker FBF Upflow/Horizontal Furnaces



COIL SPECIFICATIONS

(Representative drawing only. Some models may vary in appearance.)

- Standard refrigerant connections: liquid line - 3/8" ODS, suction line - 7/8" ODS
- Four 3/4" FPT condensate drains (2 per side).
- Inlet and outlet dimensions are identical.
- Powder-painted metal drain pan.
- Five-year warranty.
- Flowrater standard. Factory or field-installable TXV available.
- Front access panel for easy service.
- Every coil immersion-tested at 500 psi, then nitrogen-pressurized and sealed.
- Rifled copper tubing, enhanced aluminum fins.
- ARI certifiable with all brands of A/C and heat pump systems.
- ETL listed.

ARCOAIRE COMFORT- MAKER FURNACE MODEL	COIL + PLENUM MODEL	END CAP MODEL	COIL OVERALL		COIL INLET (END CAPS INSTALLED)		COIL WIDTH	WT (LBS)
			A	B	C	D	E	
FBF050B12 FBF075B12	BBL 24	ICPR01	22-3/4	16-3/4	15-1/2	18-3/4	22	46
	BBL 30	ICPR01	22-3/4	16-3/4	15-1/2	18-3/4	22	46
	BBL 36	ICPR01	22-3/4	16-3/4	15-1/2	18-3/4	22	50
	BBH 36	ICPR02	22-3/4	20-3/4	15-1/2	18-3/4	22	51
	BBL 48	ICPR05	22-3/4	18-3/4	15-1/2	18-3/4	22	56
	BBL 49	ICPR05	22-3/4	18-3/4	15-1/2	18-3/4	22	56
FBF075F16 FBF100F14 FBF100F20	BBH 48	ICPR03	22-3/4	22-3/4	19-1/8	18-3/4	22	56
	BBL 60	ICPR03	22-3/4	22-3/4	19-1/8	18-3/4	22	60
	BBH 60	ICPR04	22-3/4	26-3/4	19-1/8	18-3/4	22	61
	BBH 61	ICPR04	22-3/4	26-3/4	19-1/8	18-3/4	22	61
	BBH 63	ICPR03	22-3/4	22-3/4	19-1/8	18-3/4	22	60