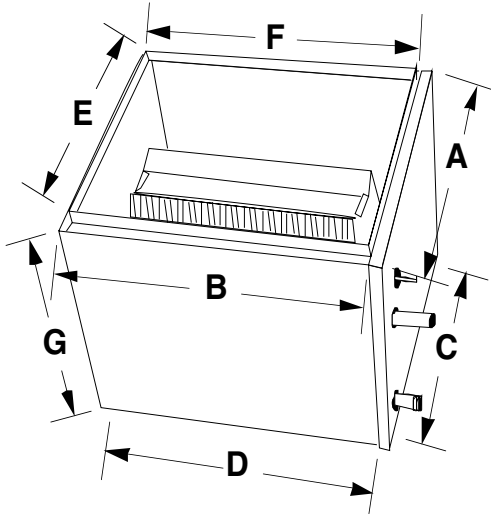




DIMENSIONS AND SPECIFICATIONS

Aspen Cased Upflow/Downflow Coils

Designed for Aire-Flo MPG Furnaces



GENERAL SPECIFICATIONS

- Standard refrigerant connections: liquid line - 3/8" ODS, suction line - 7/8" ODS
- Left-hand refrigerant and plumbing connections.
- One 3/4" MPT condensate drain.
- Powder-painted metal drain pan. Stainless available.
- Five-year warranty.
- Flowrater standard. Factory or field-installable TXV available.
- Front access panel for easy service.
- Every coil immersion-tested at 500 psi, then nitrogen-pressurized and sealed.
- Heavy gauge embossed galvanized cabinets fully lined with 1/2" faced insulation.
- Flush-fits furnace in most applications.
- Riffled copper tubing, enhanced aluminum fins.
- ARI certifiable with all brands of A/C and heat pump systems.
- ETL listed.

FURNACE MODEL	COIL MODEL	SUFFIX	FOOTPRINT		BOTTOM OPENING		TOP OPENING		HEIGHT
			A	B	C	D	E	F	
MPGA050A3 MPGA075A3	BVR** 24	C6A12	14	22-1/8	12	20-5/8	12	20-5/8	12
	BVR** 30	C6A18	14	22-1/8	12	20-5/8	12	20-5/8	18
	BVR** 36	C6A18	14	22-1/8	12	20-5/8	12	20-5/8	18
	BV5** 36	C6A18	14	22-1/8	12	20-5/8	12	20-5/8	18
MPGA075A4 MPGA100A4 MPGA100A4	BVR** 36	C6B20	17	22-1/8	15-1/4	20-5/8	15-1/4	20-5/8	20
	BVR** 42	C6B20	17	22-1/8	15-1/4	20-5/8	15-1/4	20-5/8	20
	BVR** 48	C6B20	17	22-1/8	15-1/4	20-5/8	15-1/4	20-5/8	20
	BV7** 60	C6B26	17	22-1/8	15-1/4	20-5/8	15-1/4	20-5/8	26
MPGA100A5 MPGA125A5	BVR** 48	C6C20	20-1/2	22-1/8	18-3/4	20-5/8	18-3/4	20-5/8	20
	BV1** 60	C6C26	20-1/2	22-1/8	18-3/4	20-5/8	18-3/4	20-5/8	26
	BV7** 60	C6C26	20-1/2	22-1/8	18-3/4	20-5/8	18-3/4	20-5/8	26
	BV2** 60	C6D26	20-1/2	23	18-3/4	20-5/8	18-3/4	20-5/8	26