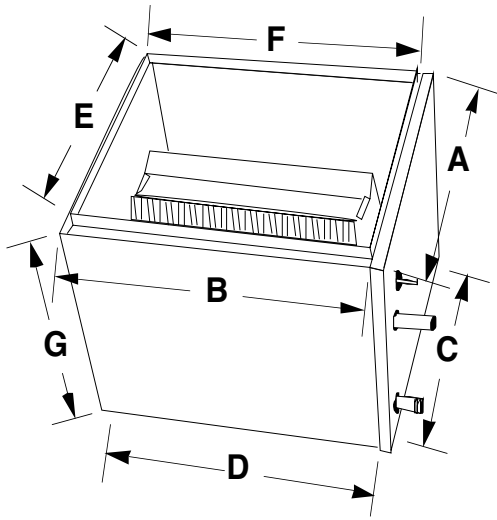


## DIMENSIONS AND SPECIFICATIONS

### Aspen Cased Upflow/Downflow Coils

Designed to Fit Bryant Furnaces



#### GENERAL SPECIFICATIONS

- Standard refrigerant connections: liquid line - 3/8" ODS, suction line - 7/8" ODS
- Left-hand refrigerant and plumbing connections.
- One 3/4" MPT condensate drain.
- Powder-painted metal drain pan. Stainless available.
- Five-year warranty.
- Flowrater standard. Factory or field-installable TXV available.
- Front access panel for easy service.
- Every coil immersion-tested at 500 psi, then nitrogen-pressurized and sealed.
- Heavy gauge embossed galvanized cabinets fully lined with 1/2" faced insulation.
- Flush-fits furnace in most applications.
- Rifled copper tubing, enhanced aluminum fins.
- ARI certifiable with all brands of A/C and heat pump systems.
- ETL listed.

BRYANT FURNACE WIDTH	ASPEN COIL MODEL	SUFFIX	FOOTPRINT		BOTTOM OPENING		TOP OPENING		HEIGHT
			A	B	C	D	E	F	
14- 3/16	BVR** 24	CCT12	14-1/4	21	12-3/4	19-1/4	12-1/2	18-3/4	12
	BV1** 24	CCT18	14-1/4	21	12-3/4	19-1/4	12-1/2	18-3/4	18
	BVR** 30	CCT18	14-1/4	21	12-3/4	19-1/4	12-1/2	18-3/4	18
	BV1** 30	CCT18	14-1/4	21	12-3/4	19-1/4	12-1/2	18-3/4	18
	BVR** 36	CCT18	14-1/4	21	12-3/4	19-1/4	12-1/2	18-3/4	18
	BV5** 36	CCT18	14-1/4	21	12-3/4	19-1/4	12-1/2	18-3/4	18
17- 1/2	BVR** 30	CCV18	17-1/2	21	16-1/8	19-1/4	15-3/4	18-3/4	18
	BV1** 30	CCV18	17-1/2	21	16-1/8	19-1/4	15-3/4	18-3/4	18
	BVR** 36	CCV18	17-1/2	21	16-1/8	19-1/4	15-3/4	18-3/4	18
	BV5** 36	CCV18	17-1/2	21	16-1/8	19-1/4	15-3/4	18-3/4	18
	BVR** 42	CCV18	17-1/2	21	16-1/8	19-1/4	15-3/4	18-3/4	18
	BV5** 42	CCV24	17-1/2	21	16-1/8	19-1/4	15-3/4	18-3/4	24
	BVR** 48	CCV24	17-1/2	21	16-1/8	19-1/4	15-3/4	18-3/4	24
	BV1** 48	CCV24	17-1/2	21	16-1/8	19-1/4	15-3/4	18-3/4	24
	BV5** 48	CCV24	17-1/2	21	16-1/8	19-1/4	15-3/4	18-3/4	24
21	BVR** 42	CCW18	21	21	19-5/8	19-1/4	19-1/4	18-3/4	18
	BV5** 42	CCW24	21	21	19-5/8	19-1/4	19-1/4	18-3/4	24
	BVR** 48	CCW24	21	21	19-5/8	19-1/4	19-1/4	18-3/4	24
	BV1** 48	CCW24	21	21	19-5/8	19-1/4	19-1/4	18-3/4	24
	BV5** 48	CCW24	21	21	19-5/8	19-1/4	19-1/4	18-3/4	24
24- 1/2	BV1** 60	CCX26	24-1/2	21	23-1/8	19-1/4	22-3/4	18-3/4	26
	BV2** 60	CCY26	24-1/2	23	23-1/8	19-1/4	22-3/4	18-3/4	26
	BV7** 60	CCX26	24-1/2	21	23-1/8	19-1/4	22-3/4	18-3/4	26

BV Spec-Bryant C. Effective 5/15/98. Supercedes all previous versions. Subject to change without notice.