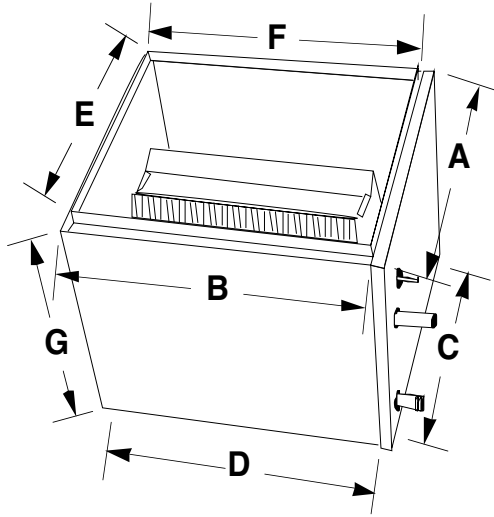


DIMENSIONS AND SPECIFICATIONS

Aspen Cased Upflow/Downflow Coils

Designed for Heat Controller Furnaces



GENERAL SPECIFICATIONS

- Standard refrigerant connections: liquid line - 3/8" ODS, suction line - 7/8" ODS
- Left-hand refrigerant and plumbing connections.
- One 3/4" MPT condensate drain.
- Powder-painted metal drain pan. Stainless available.
- Five-year warranty.
- Flowrater standard. Factory or field-installable TXV available.
- Front access panel for easy service.
- Every coil immersion-tested at 500 psi, then nitrogen-pressurized and sealed.
- Heavy gauge embossed galvanized cabinets fully lined with 1/2" faced insulation.
- Flush-fits furnace in most applications.
- Rifled copper tubing, enhanced aluminum fins.
- ARI certifiable with all brands of A/C and heat pump systems.
- ETL listed.

HEAT CONTROLLER FURNACE MODEL	COIL MODEL	SUFFIX	FOOTPRINT		BOTTOM OPENING		TOP OPENING		HEIGHT
			A	B	C	D	E	F	
GMUA, GMUH, GMDA-50	BVR** 24	CKD14	14	21-3/4	13	20-1/4	12-7/8	19-3/4	14
	BVR** 30	CKD14	14	21-3/4	13	20-1/4	12-7/8	19-3/4	14
GMUA, GMUH, GMDA-75, -100-(X)3; GLUA, GLDA-45, -60, -75-3	BVR** 24	CKY16	17-1/2	21-3/4	16-1/2	20-1/4	16-3/8	19-3/4	16
	BVR** 30	CKY16	17-1/2	21-3/4	16-1/2	20-1/4	16-3/8	19-3/4	16
	BVR** 36	CKY16	17-1/2	21-3/4	16-1/2	20-1/4	16-3/8	19-3/4	16
GMUA, GMUH, GMDA-100-(X)5; GLUA, GLDA-75-4, -90, -105	BVR** 36	CKX20	21	21-3/4	20	20-1/4	19-7/8	19-3/4	20
	BVR** 42	CKX20	21	21-3/4	20	20-1/4	19-7/8	19-3/4	20
	BVR** 48	CKX20	21	21-3/4	20	20-1/4	19-7/8	19-3/4	20
GMUA, GMUH, GMDA-125, -150; GLUA, GLDA-120	BVR** 48	CKZ24	24-1/2	21-3/4	23-1/2	20-1/4	23-3/8	19-3/4	24
	BV1** 60	CKZ24	24-1/2	21-3/4	23-1/2	20-1/4	23-3/8	19-3/4	24

NOTE: Please specify on order if coil is to be used with both 80+ and 90+ furnaces. Refrigerant and plumbing connections will be centered 7" from left side of coil cabinet.