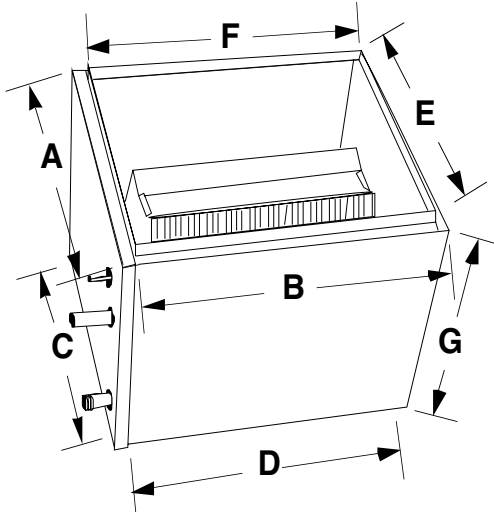




DIMENSIONS AND SPECIFICATIONS

Aspen Cased Upflow Coils

Designed for Lennox G24, 80MGF and 80UHG and Aire-Flo FBA Furnaces



GENERAL SPECIFICATIONS

- Standard refrigerant connections: liquid line - 3/8" ODS, suction line - 7/8" ODS
- Left-hand refrigerant and plumbing connections.
- One 3/4" MPT condensate drain.
- Powder-painted metal drain pan. Stainless available.
- Five-year warranty.
- Flowrate standard. Factory or field-installable TXV available.
- Front access panel for easy service.
- Every coil immersion-tested at 500 psi, then nitrogen-pressurized and sealed.
- Heavy gauge embossed galvanized cabinets fully lined with 1/2" faced insulation.
- Flush-fits furnace in most applications.
- Rifled copper tubing, enhanced aluminum fins.
- ARI certifiable with all brands of A/C and heat pump systems.
- ETL listed.

LENNOX FURNACE MODEL	ASPEN COIL MODEL	SUFFIX	FOOTPRINT		BOTTOM OPENING		TOP OPENING		HT
			A	B	C	D	E	F	
• G24M2-45, -60, -75, M3-60, -75, M4-75 • 80MGF2-45, -60, -75, F3-60, -75, F4-75 • 80UHG2-45, -60, -75, 3-60, 75, 4-75 • FBAUH*-24-045, -060, -075, -36-060, -075, -48-075	BVR** 24	ANR16	17	21-1/4	15-1/4	19-3/4	15-1/2	19-3/4	16
	BV1** 24	ANR16	17	21-1/4	15-1/4	19-3/4	15-1/2	19-3/4	16
	BVR** 30	ANR16	17	21-1/4	15-1/4	19-3/4	15-1/2	19-3/4	16
	BV1** 30	ANR16	17	21-1/4	15-1/4	19-3/4	15-1/2	19-3/4	16
	BVR** 36	ANR16	17	21-1/4	15-1/4	19-3/4	15-1/2	19-3/4	16
	BV5** 36	ANR18	17	21-1/4	15-1/4	19-3/4	15-1/2	19-3/4	18
	BVR** 42	ANR18	17	21-1/4	15-1/4	19-3/4	15-1/2	19-3/4	18
	BV5** 42	ANR22	17	21-1/4	15-1/4	19-3/4	15-1/2	19-3/4	22
• G24M3/4-100, -120, M4/5-100, -120 • 80MGF3/4-100, -120, 4/5-100, -120 • 80UHG3/4-100, -120, 4/5-100, -120 • FBAUH*-48-100, -120, -60-100, -120	BVR** 36	ANS18	20-1/2	21-1/4	18-3/4	19-3/4	19	19-3/4	18
	BV5** 36	ANS18	20-1/2	21-1/4	18-3/4	19-3/4	19	19-3/4	18
	BVR** 42	ANS24	20-1/2	21-1/4	18-3/4	19-3/4	19	19-3/4	24
	BV5** 42	ANS24	20-1/2	21-1/4	18-3/4	19-3/4	19	19-3/4	24
	BVR** 48	ANS24	20-1/2	21-1/4	18-3/4	19-3/4	19	19-3/4	24
	BV5** 48	ANS24	20-1/2	21-1/4	18-3/4	19-3/4	19	19-3/4	24
	BV1** 48	ANS24	20-1/2	21-1/4	18-3/4	19-3/4	19	19-3/4	24
	BV1** 60	ANS24	20-1/2	21-1/4	18-3/4	19-3/4	19	19-3/4	24
• G24M4/5-140 • 80MGF4/5-140	BV2** 60	ANJ24	20-1/2	23	18-3/4	19-3/4	19	21-1/2	24
	BV7** 60	ANS26	20-1/2	21-1/4	18-3/4	19-3/4	19	19-3/4	26
	BVR** 42	ANT20	23-1/4	21-1/4	21-1/2	19-3/4	21-3/4	19-3/4	20
	BVR** 48	ANT20	23-1/4	21-1/4	21-1/2	19-3/4	21-3/4	19-3/4	20
	BV1** 60	ANT24	23-1/4	21-1/4	21-1/2	19-3/4	21-3/4	19-3/4	24
• 80MGF4/5-140	BV2** 60	ANW26	23-1/4	23	21-1/2	19-3/4	21-3/4	21-1/2	26
	BV7** 60	ANT26	23-1/4	21-1/4	21-1/2	19-3/4	21-3/4	19-3/4	26

BV Spec-Lennox A G24, 80. Effective 2/17/00. Supersedes all previous versions. Subject to change without notice.