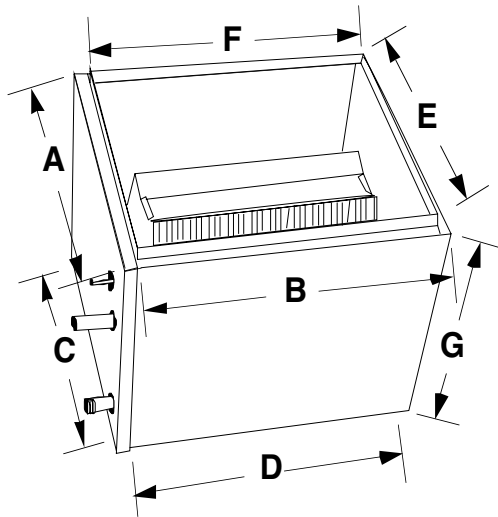


DIMENSIONS AND SPECIFICATIONS

Aspen Cased Upflow Coils

Designed for Lennox G32 Upflow Furnaces



GENERAL SPECIFICATIONS

(Drawing is representative only. Actual models may vary.)

- Standard refrigerant connections: liquid line - 3/8" ODS, suction line - 7/8" ODS
- Right-hand connections
- Schrader port for charge verification and TXV retrofit
- Two 3/4" NPT condensate drains.
- Powder-painted galvanized metal drain pan.
- Five-year warranty.
- Metering device designed for either piston or TXV retrofit.
- Heavy gauge embossed galvanized cabinets fully lined with 1/2" faced insulation.
- Flush-fits furnace in most applications.
- Every coil immersion-tested at 500 psi, then nitrogen pressurized and sealed.
- Rifled copper tubing, enhanced aluminum fins.
- ARI certifiable with all brands of A/C and heat pump systems.
- ETL listed.

LENNOX FURNACE MODEL	ASPEN COIL MODEL	SUFFIX	FOOTPRINT		BOTTOM OPENING		TOP OPENING		HT
			A	B	C	D	E	F	
G32Q3-75	BV1** 24	ANM18	16-1/4	21	14-3/8	19-1/8	14-3/4	19-1/2	18
	BVR** 24	ANM12	16-1/4	21	14-3/8	19-1/8	14-3/4	19-1/2	12
	BV1** 30	ANM18	16-1/4	21	14-3/8	19-1/8	14-3/4	19-1/2	18
	BVR** 30	ANM18	16-1/4	21	14-3/8	19-1/8	14-3/4	19-1/2	18
	BV5** 36	ANM18	16-1/4	21	14-3/8	19-1/8	14-3/4	19-1/2	18
	BVR** 36	ANM18	16-1/4	21	14-3/8	19-1/8	14-3/4	19-1/2	18
	BV5** 42	ANM24	16-1/4	21	14-3/8	19-1/8	14-3/4	19-1/2	24
	BVR** 42	ANM18	16-1/4	21	14-3/8	19-1/8	14-3/4	19-1/2	18
	BV1** 48	ANM24	16-1/4	21	14-3/8	19-1/8	14-3/4	19-1/2	24
	BV5** 48	ANM24	16-1/4	21	14-3/8	19-1/8	14-3/4	19-1/2	24
G32Q3/4-100 G32Q4/5-100	BV1** 30	ANN20	21-1/4	21	19-3/8	19-1/8	19-3/4	19-1/2	20
	BVR** 30	ANN14	21-1/4	21	19-3/8	19-1/8	19-3/4	19-1/2	14
	BV5** 36	ANN20	21-1/4	21	19-3/8	19-1/8	19-3/4	19-1/2	20
	BVR** 36	ANN20	21-1/4	21	19-3/8	19-1/8	19-3/4	19-1/2	20
	BV5** 42	ANN20	21-1/4	21	19-3/8	19-1/8	19-3/4	19-1/2	20
	BVR** 42	ANN20	21-1/4	21	19-3/8	19-1/8	19-3/4	19-1/2	20
	BV1** 48	ANN26	21-1/4	21	19-3/8	19-1/8	19-3/4	19-1/2	26
	BV5** 48	ANN26	21-1/4	21	19-3/8	19-1/8	19-3/4	19-1/2	26
	BVR** 48	ANN20	21-1/4	21	19-3/8	19-1/8	19-3/4	19-1/2	20
	BV1** 60	ANN26	21-1/4	21	19-3/8	19-1/8	19-3/4	19-1/2	26
	BV2** 60	AN126	21-1/4	23	19-3/8	19-1/8	19-3/4	21-1/2	26
	BV7** 60	ANN26	21-1/4	21	19-3/8	19-1/8	19-3/4	19-1/2	26
	G32Q4/5-125	BV5** 42	ANP20	26-1/4	21	24-3/8	19-1/8	24-3/4	19-1/2
BVR** 42		ANP20	26-1/4	21	24-3/8	19-1/8	24-3/4	19-1/2	20
BV5** 48		ANP26	26-1/4	21	24-3/8	19-1/8	24-3/4	19-1/2	26
BVR** 48		ANP20	26-1/4	21	24-3/8	19-1/8	24-3/4	19-1/2	20
BV1** 60		ANP26	26-1/4	21	24-3/8	19-1/8	24-3/4	19-1/2	26
BV2** 60		ANQ26	26-1/4	23	24-3/8	19-1/8	24-3/4	21-1/2	26
BV7** 60		ANP26	26-1/4	21	24-3/8	19-1/8	24-3/4	19-1/2	26