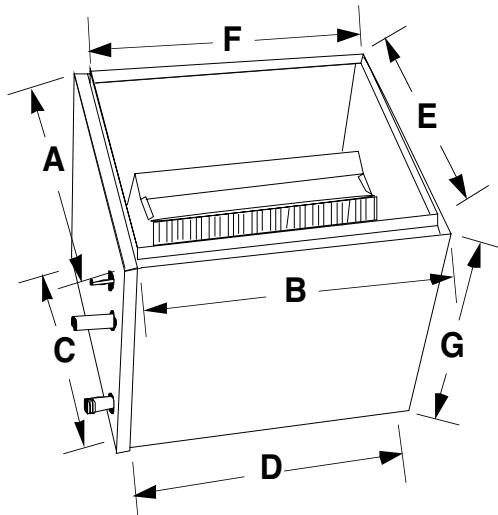


DIMENSIONS AND SPECIFICATIONS

Aspen Cased Upflow/Downflow Coils

Designed for Lennox G32 Upflow Furnaces and GHR32 Downflow Furnaces



GENERAL SPECIFICATIONS

(Drawing is representative only. Actual models may vary.)

- Standard refrigerant connections: liquid line - 3/8" ODS, suction line - 7/8" ODS
- Right-hand connections
- Schrader port for charge verification and TXV retrofit
- Two 3/4" NPT condensate drains.
- Powder-painted galvanized metal drain pan.
- Five-year warranty.
- Metering device designed for either piston or TXV retrofit.
- Heavy gauge embossed galvanized cabinets fully lined with 1/2" faced insulation.
- Flush-fits furnace in most applications.
- Every coil immersion-tested at 500 psi, then nitrogen pressurized and sealed.
- Rifled copper tubing, enhanced aluminum fins.
- ARI certifiable with all brands of A/C and heat pump systems.
- ETL listed.

LENNOX FURNACE MODEL	ASPEN COIL MODEL	SUFFIX	FOOTPRINT		BOTTOM OPENING		TOP OPENING		HT
			A	B	C	D	E	F	
G32Q3-75 GHR32V3-75	BV1** 24	CNM18	16-1/4	21	14-3/8	19-1/8	12-5/8	18-5/8	18
	BVR** 24	CNM12	16-1/4	21	14-3/8	19-1/8	12-5/8	18-5/8	12
	BV1** 30	CNM18	16-1/4	21	14-3/8	19-1/8	12-5/8	18-5/8	18
	BVR** 30	CNM18	16-1/4	21	14-3/8	19-1/8	12-5/8	18-5/8	18
	BV5** 36	CNM18	16-1/4	21	14-3/8	19-1/8	12-5/8	18-5/8	18
	BVR** 36	CNM18	16-1/4	21	14-3/8	19-1/8	12-5/8	18-5/8	18
	BV5** 42	CNM24	16-1/4	21	14-3/8	19-1/8	12-5/8	18-5/8	24
	BVR** 42	CNM18	16-1/4	21	14-3/8	19-1/8	12-5/8	18-5/8	18
	BV1** 48	CNM24	16-1/4	21	14-3/8	19-1/8	12-5/8	18-5/8	24
BV5** 48	CNM24	16-1/4	21	14-3/8	19-1/8	12-5/8	18-5/8	24	
BVR** 48	CNM24	16-1/4	21	14-3/8	19-1/8	12-5/8	18-5/8	24	
G32Q3/4-100 G32Q4/5-100 GHR32V5-100	BV1** 30	CNN20	21-1/4	21	19-3/8	19-1/8	17-5/8	18-5/8	20
	BVR** 30	CNN14	21-1/4	21	19-3/8	19-1/8	17-5/8	18-5/8	14
	BV5** 36	CNN20	21-1/4	21	19-3/8	19-1/8	17-5/8	18-5/8	20
	BVR** 36	CNN20	21-1/4	21	19-3/8	19-1/8	17-5/8	18-5/8	20
	BV5** 42	CNN20	21-1/4	21	19-3/8	19-1/8	17-5/8	18-5/8	20
	BVR** 42	CNN20	21-1/4	21	19-3/8	19-1/8	17-5/8	18-5/8	20
	BV1** 48	CNN26	21-1/4	21	19-3/8	19-1/8	17-5/8	18-5/8	26
	BV5** 48	CNN26	21-1/4	21	19-3/8	19-1/8	17-5/8	18-5/8	26
	BVR** 48	CNN20	21-1/4	21	19-3/8	19-1/8	17-5/8	18-5/8	20
	BV1** 60	CNN26	21-1/4	21	19-3/8	19-1/8	17-5/8	18-5/8	26
	BV2** 60	CN126	21-1/4	23	19-3/8	19-1/8	17-5/8	18-5/8	26
BV7** 60	CNN26	21-1/4	21	19-3/8	19-1/8	17-5/8	18-5/8	26	
G32Q4/5-125	BV5** 42	ANP20	26-1/4	21	24-3/8	19-1/8	24-3/4	19-1/2	20
	BVR** 42	ANP20	26-1/4	21	24-3/8	19-1/8	24-3/4	19-1/2	20
	BV5** 48	ANP26	26-1/4	21	24-3/8	19-1/8	24-3/4	19-1/2	26
	BVR** 48	ANP20	26-1/4	21	24-3/8	19-1/8	24-3/4	19-1/2	20
	BV1** 60	ANP26	26-1/4	21	24-3/8	19-1/8	24-3/4	19-1/2	26
	BV2** 60	ANQ26	26-1/4	23	24-3/8	19-1/8	24-3/4	21-1/2	26
	BV7** 60	ANP26	26-1/4	21	24-3/8	19-1/8	24-3/4	19-1/2	26