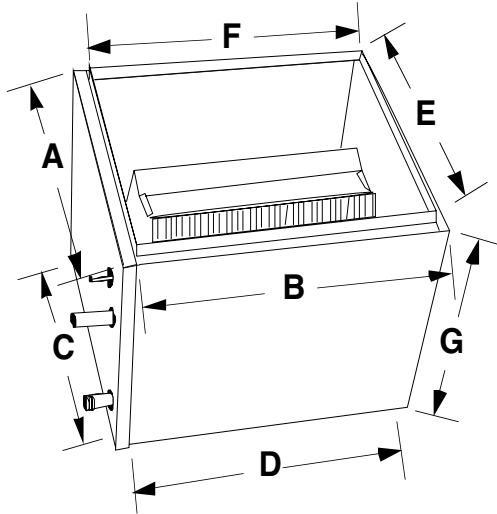




DIMENSIONS AND SPECIFICATIONS

Aspen Cased Upflow/Downflow Coils

Designed for Lennox G40UH(DF) and G50UH(DF) Furnaces



GENERAL SPECIFICATIONS

- Standard refrigerant connections: liquid line - 3/8" ODS, suction line - 7/8" ODS
- Right-hand refrigerant and plumbing connections.
- One 3/4" MPT condensate drain.
- Powder-painted galvanized metal drain pan. Stainless available.
- Five-year warranty.
- Flowrate standard. Factory or field-installable TXV available.
- Front access panel for easy service.
- Every coil immersion-tested at 500 psi, then nitrogen-pressurized and sealed.
- Heavy gauge embossed galvanized cabinets fully lined with 1/2" faced insulation.
- Flush-fits furnace in most applications.
- Rifled copper tubing, enhanced aluminum fins.
- ARI certifiable with all brands of A/C and heat pump systems.
- ETL listed.

LENNOX FURNACE MODEL	ASPEN COIL MODEL	SUFFIX	FOOTPRINT		BOTTOM OPENING		TOP OPENING		HEIGHT
			A	B	C	D	E	F	
G40/50UH(DF)-24A G40/50UH(DF)-36A	BV1** 24	CPA16	14-5/8	21-1/4	13-5/8	19-3/4	13-1/8	19-3/4	16
	BVR** 24	CPA12	14-5/8	21-1/4	13-5/8	19-3/4	13-1/8	19-3/4	12
	BV1** 30	CPA16	14-5/8	21-1/4	13-5/8	19-3/4	13-1/8	19-3/4	16
	BVR** 30	CPA16	14-5/8	21-1/4	13-5/8	19-3/4	13-1/8	19-3/4	16
	BV5** 36	CPA18	14-5/8	21-1/4	13-5/8	19-3/4	13-1/8	19-3/4	18
	BVR** 36	CPA16	14-5/8	21-1/4	13-5/8	19-3/4	13-1/8	19-3/4	16
	BV5** 42	CPA20	14-5/8	21-1/4	13-5/8	19-3/4	13-1/8	19-3/4	20
BVR** 42	CPA18	14-5/8	21-1/4	13-5/8	19-3/4	13-1/8	19-3/4	18	
G40/50UH(DF)-36B G40/50UH(DF)-48B	BV1** 30	CPB16	17-5/8	21-1/4	16-5/8	19-3/4	16-1/8	19-3/4	16
	BVR** 30	CPB16	17-5/8	21-1/4	16-5/8	19-3/4	16-1/8	19-3/4	16
	BV5** 36	CPB20	17-5/8	21-1/4	16-5/8	19-3/4	16-1/8	19-3/4	20
	BVR** 36	CPB16	17-5/8	21-1/4	16-5/8	19-3/4	16-1/8	19-3/4	16
	BV5** 42	CPB20	17-5/8	21-1/4	16-5/8	19-3/4	16-1/8	19-3/4	20
	BVR** 42	CPB20	17-5/8	21-1/4	16-5/8	19-3/4	16-1/8	19-3/4	20
	BV1** 48	CPB24	17-5/8	21-1/4	16-5/8	19-3/4	16-1/8	19-3/4	24
BV5** 48	CPB24	17-5/8	21-1/4	16-5/8	19-3/4	16-1/8	19-3/4	24	
BVR** 48	CPB20	17-5/8	21-1/4	16-5/8	19-3/4	16-1/8	19-3/4	20	
G40/50UH(DF)-48C G40/50UH(DF)-60C	BVR** 36	CPC20	21-1/8	21-1/4	20-1/8	19-3/4	19-5/8	19-3/4	20
	BV5** 42	CPC20	21-1/8	21-1/4	20-1/8	19-3/4	19-5/8	19-3/4	20
	BVR** 42	CPC20	21-1/8	21-1/4	20-1/8	19-3/4	19-5/8	19-3/4	20
	BV1** 48	CPC26	21-1/8	21-1/4	20-1/8	19-3/4	19-5/8	19-3/4	26
	BV5** 48	CPC26	21-1/8	21-1/4	20-1/8	19-3/4	19-5/8	19-3/4	26
	BVR** 48	CPC20	21-1/8	21-1/4	20-1/8	19-3/4	19-5/8	19-3/4	20
	BV1** 60	CPC26	21-1/8	21-1/4	20-1/8	19-3/4	19-5/8	19-3/4	26
BV7** 60	CPC26	21-1/8	21-1/4	20-1/8	19-3/4	19-5/8	19-3/4	26	
BV2** 60	CPE26	21-1/8	23	20-1/8	19-3/4	19-5/8	21-1/2	26	
G40/50UH(DF)-60D	BV1** 60	CPD26	24-5/8	21-1/4	23-5/8	19-3/4	23-1/8	19-3/4	26
	BV7** 60	CPD26	24-5/8	21-1/4	23-5/8	19-3/4	23-1/8	19-3/4	26
	BV2** 60	CPF26	24-5/8	23	23-5/8	19-3/4	23-1/8	21-1/2	26

BV Spec-Lennox C G40/50. Effective 12/17/02. Supercedes all previous versions. Subject to change without notice.