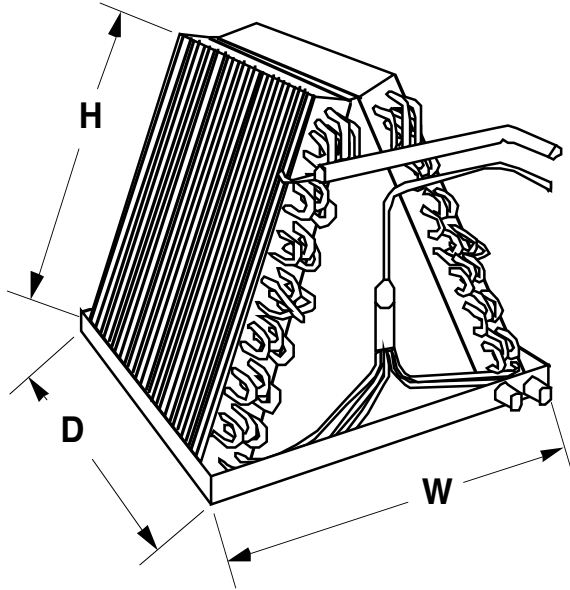


## DIMENSIONS AND SPECIFICATIONS

### Aspen Uncased Coils

Designed To Fit Inside Rheem/Ruud R/UE(\*)B Electric Furnaces  
and R/UHQ A Air Handlers



#### GENERAL SPECIFICATIONS

- Standard refrigerant connections: liquid line - 3/8" ODS, suction line - 7/8" ODS
- Right-hand refrigerant and plumbing connections.
- One 3/4" MPT condensate drain.
- Powder-painted metal drain pan. Stainless available.
- Five-year warranty.
- Flowrater standard. Factory or field-installable TXV available.
- Front access panel for easy service.
- Every coil immersion-tested at 500 psi, then nitrogen-pressurized and sealed.
- Rifled copper tubing, enhanced aluminum fins.
- ARI certifiable with all brands of A/C and heat pump systems.
- ETL listed.

RHEEM/RUUD ELECTRIC FURNACE	ASPEN MODEL NUMBER	WIDTH (W)	DEPTH (D)	HEIGHT (H)	LIST PRICE (PISTON)	LIST PRICE (TXV)
R/UE(*)B-10	BV922 24-ZA	15-3/4	18-3/4	10	\$82	\$113
R/UHQ A-08, -10	BV922 30-ZA	15-3/4	18-3/4	12	\$89	\$120
	BV932 30-ZA	15-3/4	18-3/4	12	\$121	\$152
	BV822 36-ZB	15-3/4	20-7/8	16 (1)	\$119	\$150
R/UE(*)B-14	BV832 36-ZB	15-3/4	20-7/8	16 (1)	\$163	\$194
R/UHQ A-12, -13	BV922 30-ZB	15-3/4	20-7/8	12	\$89	\$120
	BV932 30-ZB	15-3/4	20-7/8	12	\$121	\$152
R/UE(*)B-16	BV922 48-ZD	19-3/4	20-7/8	16	\$136	\$167
	BV932 48-ZD	19-3/4	20-7/8	16	\$164	\$195
R/UE(*)B-20	BV922 48-ZC	21-1/4	23-3/8	16	\$136	\$167
R/UHQ A-16, -20	BV932 48-ZC	21-1/4	23-3/8	16	\$164	\$195
	BV934 60-ZC	21-1/4	23-3/8	18	\$190	\$221

(1) Coil will fit in UHQ A unit with removal and replacement of internal parts. This requires access to screws on either side of furnace.