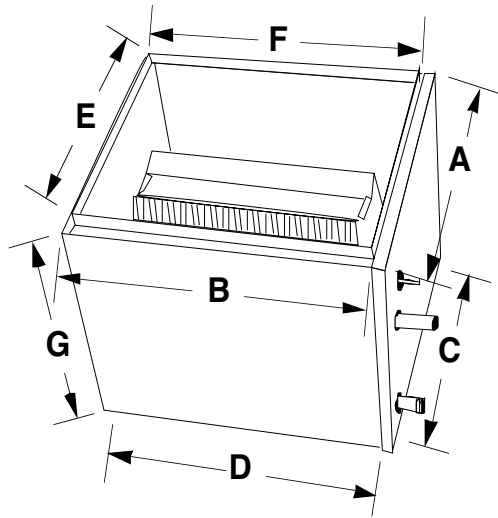


## DIMENSIONS AND SPECIFICATIONS

### Aspen Cased Upflow Coils

Designed for York or Evcon/Coleman BGM Furnaces



#### GENERAL SPECIFICATIONS

- Standard refrigerant connections: liquid line - 3/8" ODS, suction line - 7/8" ODS
- Left-hand refrigerant and plumbing connections.
- One 3/4" MPT condensate drain.
- Powder-painted metal drain pan. Stainless available.
- Five-year warranty.
- Flowrater standard. Factory or field-installable TXV available.
- Front access panel for easy service.
- Every coil immersion-tested at 500 psi, then nitrogen-pressurized and sealed.
- Heavy gauge embossed galvanized cabinets fully lined with 1/2" faced insulation.
- Flush-fits furnace in most applications.
- Rifled copper tubing, enhanced aluminum fins.
- ARI certifiable with all brands of A/C and heat pump systems.
- ETL listed.

FURNACE MODEL	COIL MODEL	SUFFIX	FOOTPRINT		BOTTOM OPENING		TOP OPENING		HEIGHT
			A	B	C	D	E	F	
BGM05012B(X)U BGM07512B(X)U	BVR** 24	AYN16	17-1/2	21-3/4	16-1/4	20-1/4	16	20-1/4	16
	BV1** 24	AYN16	17-1/2	21-3/4	16-1/4	20-1/4	16	20-1/4	16
	BVR** 30	AYN16	17-1/2	21-3/4	16-1/4	20-1/4	16	20-1/4	16
	BVR** 36	AYN16	17-1/2	21-3/4	16-1/4	20-1/4	16	20-1/4	16
	BV1** 36	AYN20	17-1/2	21-3/4	16-1/4	20-1/4	16	20-1/4	20
BGM07516B(X)U BGM10016B(X)U	BVR** 36	AYP16	21	21-3/4	19-3/4	20-1/4	19-1/2	20-1/4	16
	BV1** 36	AYP24	21	21-3/4	19-3/4	20-1/4	19-1/2	20-1/4	24
	BV1** 42	AYP24	21	21-3/4	19-3/4	20-1/4	19-1/2	20-1/4	24
	BV1** 48	AYP24	21	21-3/4	19-3/4	20-1/4	19-1/2	20-1/4	24
BGM10020B(X)U BGM12520B(X)U	BV1** 48	AYQ24	24-1/2	21-3/4	23-1/4	20-1/4	23	20-1/4	24
	BV1** 60	AYQ24	24-1/2	21-3/4	23-1/4	20-1/4	23	20-1/4	24
	BV7** 60	AYQ26	24-1/2	21-3/4	23-1/4	20-1/4	23	20-1/4	26