



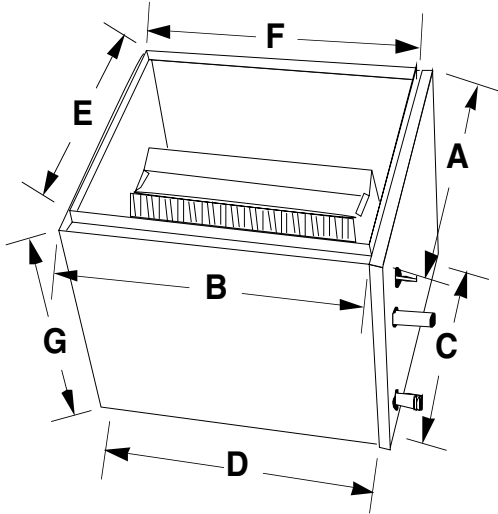
ASPEN
MANUFACTURING

373 ATASCOCITA RD. • HUMBLE, TX • 77396
TEL (281) 441-6500 • FAX (281) 441-6510
<< www.aspenmfg.com >>

DIMENSIONS AND SPECIFICATIONS

Aspen Cased Upflow Coils

Designed for York GY9S*UP Upflow and GY9S*DH Downflow/Horizontal Furnaces



GENERAL SPECIFICATIONS

- Standard refrigerant connections: liquid line - 3/8" ODS, suction line - 7/8" ODS
- Left-hand refrigerant and plumbing connections.
- One 3/4" FPT condensate drain.
- Powder-painted metal drain pan. Stainless available.
- Five-year warranty.
- Flowrate standard. Factory or field-installable TXV available.
- Front access panel for easy service.
- Every coil immersion-tested at 500 psi, then nitrogen-pressurized and sealed.
- Heavy gauge embossed galvanized cabinets fully lined with 1/2" faced insulation.
- Flush-fits furnace in most applications.
- Rifled copper tubing, enhanced aluminum fins.
- ARI certifiable with all brands of A/C and heat pump systems.
- ETL listed.

FURNACE MODEL	COIL MODEL	SUFFIX	FOOTPRINT		BOTTOM OPENING		TOP OPENING		HEIGHT
			A	B	C	D	E	F	
GY9S060B12* GY9S080B12*	BVR** 24	AYN12	17-1/2	21-3/4	16-1/2	20-1/4	16	20-1/4	12
	BVR** 30	AYN18	17-1/2	21-3/4	16-1/2	20-1/4	16	20-1/4	18
	BVR** 36	AYN18	17-1/2	21-3/4	16-1/2	20-1/4	16	20-1/4	18
	BV5** 36	AYN18	17-1/2	21-3/4	16-1/2	20-1/4	16	20-1/4	18
GY9S080C16* GY9S100C16* GY9S100C20*	BVR** 36	AYP20	21	21-3/4	20	20-1/4	19-1/2	20-1/4	20
	BVR** 42	AYP20	21	21-3/4	20	20-1/4	19-1/2	20-1/4	20
	BVR** 48	AYP20	21	21-3/4	20	20-1/4	19-1/2	20-1/4	20
	BV7** 60	AYP26	21	21-3/4	20	20-1/4	19-1/2	20-1/4	26
GY9S120D20*	BV1** 48	AYQ26	24-1/2	21-3/4	23-1/2	20-1/4	23	20-1/4	26
	BV1** 60	AYQ26	24-1/2	21-3/4	23-1/2	20-1/4	23	20-1/4	26
	BV2** 60	AWE26	24-1/2	23	23-1/2	20-1/4	23	21-1/2	26
	BV7** 60	AYQ26	24-1/2	21-3/4	23-1/2	20-1/4	23	20-1/4	26