



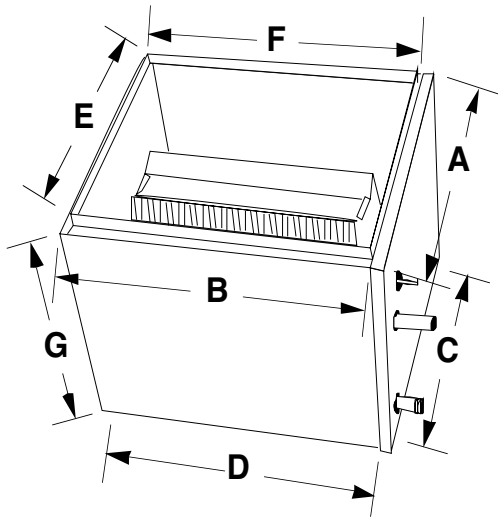
ASPEN
MANUFACTURING

373 ATASCOCITA RD. • HUMBLE, TX • 77396
TEL (281) 441-6500 • FAX (281) 441-6510
<< www.aspenmfg.com >>

DIMENSIONS AND SPECIFICATIONS

Aspen Cased Upflow/Downflow Coils

Designed for York P2MP and P2DP Furnaces



GENERAL SPECIFICATIONS

- Standard refrigerant connections: liquid line - 3/8" ODS, suction line - 7/8" ODS
- Left-hand refrigerant and plumbing connections.
- One 3/4" MPT condensate drain.
- Powder-painted metal drain pan. Stainless available.
- Five-year warranty.
- Flowrater standard. Factory or field-installable TXV available.
- Front access panel for easy service.
- Every coil immersion-tested at 500 psi, then nitrogen-pressurized and sealed.
- Heavy gauge embossed galvanized cabinets fully lined with 1/2" faced insulation.
- Flush-fits furnace in most applications.
- Rifled copper tubing, enhanced aluminum fins.
- ARI certifiable with all brands of A/C and heat pump systems.
- ETL listed.

YORK FURNACE MODEL	COIL MODEL	SUFFIX	FOOTPRINT		BOTTOM OPENING		TOP OPENING		HEIGHT
			A	B	C	D	E	F	
• P2MPD08N03201	BVR** 24	CY814	14-1/2	21-3/4	11-1/4	20-1/4	13	19-3/4	14
• P2MPD08N04801, 12N04801, 12N06401	BVR**24	CY914	16-1/4	21-3/4	15-1/4	20-1/4	13-3/4	19-3/4	14
	BVR** 30	CY914	16-1/4	21-3/4	15-1/4	20-1/4	13-3/4	19-3/4	14
• P2DPD10*04801, 12*06401	BVR** 36	CY920	16-1/4	21-3/4	15-1/4	20-1/4	13-3/4	19-3/4	20
	BV5** 42	CY920	16-1/4	21-3/4	15-1/4	20-1/4	13-3/4	19-3/4	20
• P2MPD16N06401, 14N08001, 20N08001, 16N09601	BV5** 42	CYC24	22-1/4	21-3/4	21-1/4	20-1/4	19-3/4	19-3/4	24
	BV1** 48	CYC24	22-1/4	21-3/4	21-1/4	20-1/4	19-3/4	19-3/4	24
• P2DPD12*08001, 16*08001, 16*09201	BV1** 60	CYC24	22-1/4	21-3/4	21-1/4	20-1/4	19-3/4	19-3/4	24
• P2MPD20N11201 • P2DPD20*10401	BV1** 60	CYD24	26-1/4	21-3/4	25-1/4	20-1/4	23-3/4	19-3/4	24

BV Spec-York C P2*P. Effective 8/1/96. Supersedes all previous versions. Subject to change without notice.