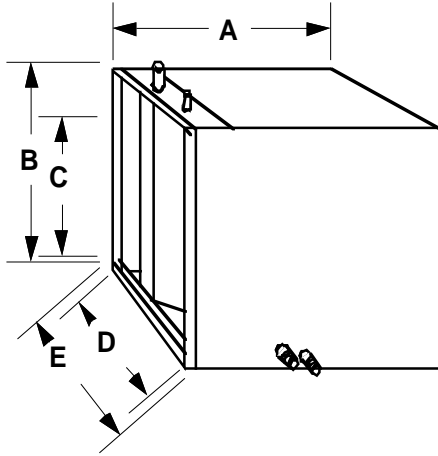


## DIMENSIONS AND SPECIFICATIONS

### Aspen BB Series Dedicated Horizontal Coils

Designed to Fit Aire-Flo MPG Furnaces



#### COIL SPECIFICATIONS

(Representative drawing only. Some models may vary in appearance.)

- Standard refrigerant connections: liquid line - 3/8" ODS, suction line - 7/8" ODS
- Refrigerant lines exit from the top of the coil.
- Four 3/4" FPT galvanized condensate drains (two per side).
- Powder-painted galvanized steel drain pan.
- Inlet and outlet dimensions are identical (without end caps).
- Five-year warranty.
- Flowrater standard. Factory or field-installable TXV available.
- Top access panel for easy service.
- Every coil immersion-tested at 500 psi, then nitrogen-pressurized and sealed.
- Rifled copper tubing, enhanced aluminum fins.
- ARI certifiable with all brands of A/C and heat pump systems.
- ETL listed.

AIRE-FLO FURNACE MODEL	COIL MODEL	END CAP MODEL	COIL OVERALL		COIL INLET (END CAPS INSTALLED)		COIL OUTLET (NOT SHOWN)		COIL WIDTH E	WT (LBS)
			A	B	C	D	HEIGHT	WIDTH		
MPGA050B3 MPGA075B3	BBL 24	DUCA01	22-3/4	16-3/4	13-1/2	20-5/8	15-1/4	20-1/2	22	46
	BBL 30	DUCA01	22-3/4	16-3/4	13-1/2	20-5/8	15-1/4	20-1/2	22	46
	BBL 31	DUCA01	22-3/4	16-3/4	13-1/2	20-5/8	15-1/4	20-1/2	22	46
	BBL 36	DUCA01	22-3/4	16-3/4	13-1/2	20-5/8	15-1/4	20-1/2	22	50
	BBL 37	DUCA01	22-3/4	16-3/4	13-1/2	20-5/8	15-1/4	20-1/2	22	50
	BBH 36	DUCA02	22-3/4	20-3/4	13-1/2	20-5/8	19-1/4	20-1/2	22	51
	BBH 37	DUCA02	22-3/4	20-3/4	13-1/2	20-5/8	19-1/4	20-1/2	22	51
MPGA075B4 MPGA100B4	BBL 48	DUCA03	22-3/4	18-3/4	17	20-5/8	17-1/4	20-1/2	22	56
	BBL 49	DUCA03	22-3/4	18-3/4	17	20-5/8	17-1/4	20-1/2	22	56
	BBH 48	DUCA04	22-3/4	22-3/4	17	20-5/8	21-1/4	20-1/2	22	56
	BBH 49	DUCA04	22-3/4	22-3/4	17	20-5/8	21-1/4	20-1/2	22	56
	BBL 60	DUCA04	22-3/4	22-3/4	17	20-5/8	21-1/4	20-1/2	22	60
	BBL 61	DUCA04	22-3/4	22-3/4	17	20-5/8	21-1/4	20-1/2	22	60
	BBH 60	DUCA07	22-3/4	26-3/4	17	20-5/8	25-1/4	20-1/2	22	60
	BBH 61	DUCA07	22-3/4	26-3/4	17	20-5/8	25-1/4	20-1/2	22	60
MPGA100B5 MPGA125B5	BBL 60	DUCA06	22-3/4	22-3/4	20-1/2	20-5/8	21-1/4	20-1/2	22	60
	BBL 61	DUCA06	22-3/4	22-3/4	20-1/2	20-5/8	21-1/4	20-1/2	22	60
	BBH 60	DUCA05	22-3/4	26-3/4	20-1/2	20-5/8	25-1/4	20-1/2	22	61
	BBH 61	DUCA05	22-3/4	26-3/4	20-1/2	20-5/8	25-1/4	20-1/2	22	61